

# Halfbridge Inverter Driver IC

## (SEM2005)



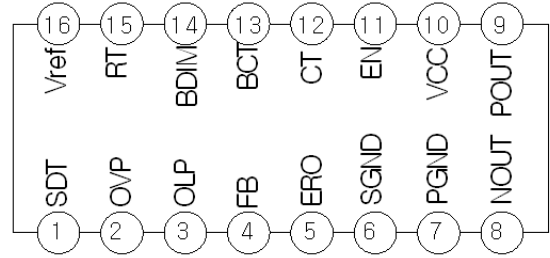
**SAMSUNG**  
**ELECTRO-MECHANICS**

**Samsung Electro-Machanics**

# Halfbridge Inverter Driver IC (SEM2005)

## ■ FEATURES

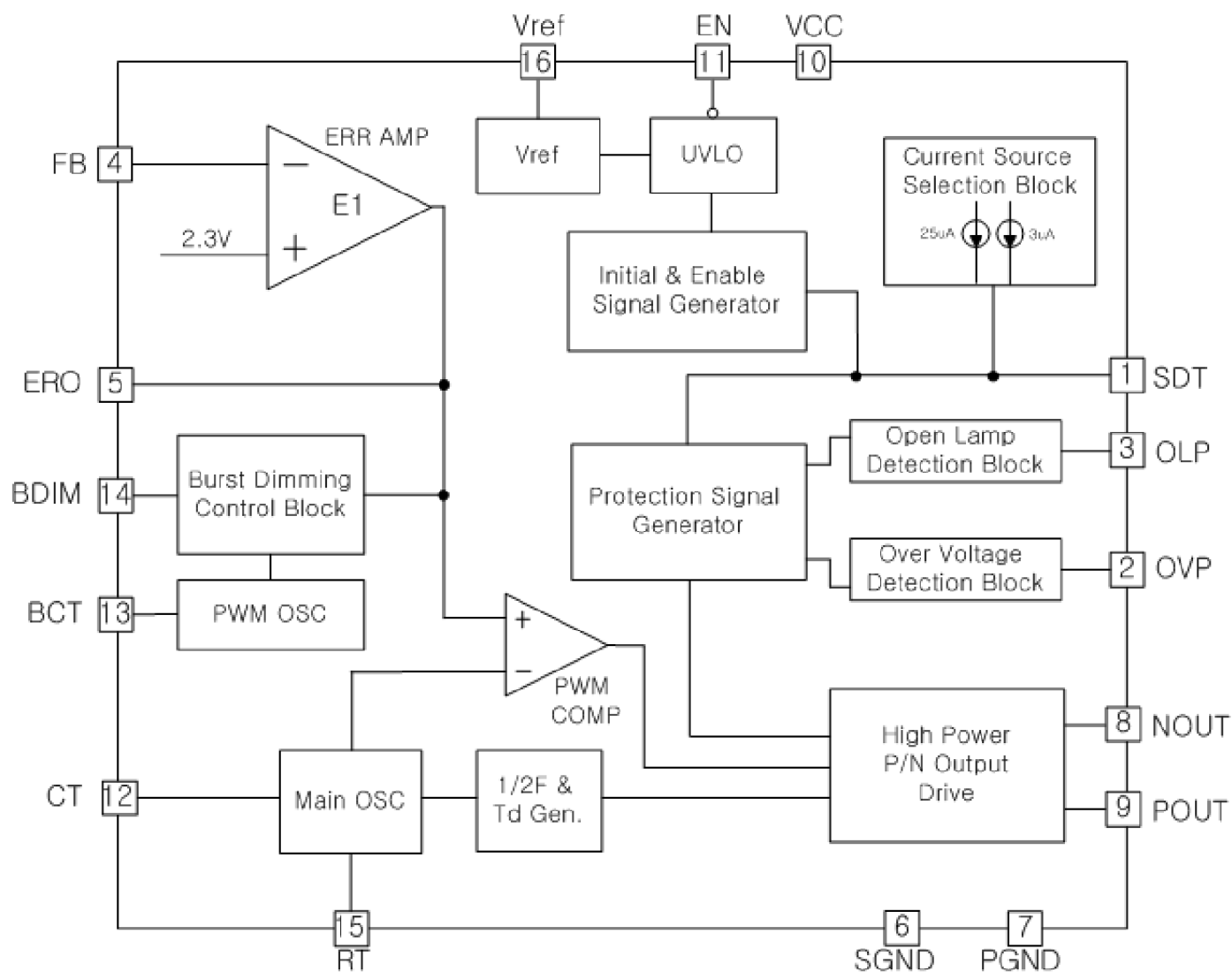
- High Frequency Voltage Mode PWM Control
- Latched Mode Protection
- Totem Pole Output
- Built-In Low Frequency PWM Generator
- Built-In UVLO function
- Adjustable Shut-down time
- Easy Burst Dimming Control
- Variable Protection function



## ■ PIN DESCRIPTION

Pin No	Symbol	I/O	Description
1	SDT	I	Shut Down Timing Capacitor 연결단자
2	OVP	I	Over Voltage Detection Input
3	OLP	I	Open Lamp Detection Input
4	FB	I	Error Amplifier의 Inverting Input
5	ERO	O	Error Amplifier의 Output
6	SGND	I/O	Signal Ground
7	PGND	I/O	Power Ground
8	NOUT	O	N-type MOSFET Driver Output
9	POUT	O	P-type MOSFET Driver Output
10	VCC	I	Power Supply
11	EN	I	On/Off Control 단자
12	CT	I/O	Oscillator Timing Capacitor 연결단자
13	BCT	I/O	Burst Dimming용 OSC Timing Cap. 연결단자
14	BDIM	I	Burst Dimming Input
15	RT	I	Oscillator Timing Resistor 연결단자
16	Vref	O	5V/10mA Reference Voltage Output

**■ BLOCK DIAGRAM**



**■ ORDERING INFORMATION**

Device	Package	Operating Temperature
SEM2005	16-SOP	-25 ~ 85°C

**■ ABSOLUTE MAXIMUM RATINGS**

Characteristic	Symbol	Value	Ut
Supply Voltage	Vcc	32	V
Operating Temperature	Topr	-25 ~ 85	°C
Storage Temperature	Tstg	-55 ~ 125	
Power Dissipation	Pd	1.0	W
Maximum Junction Temperature	Tjmax	125	°C

■ ELECTRICAL CHARACTERISTICS (Vcc=15V, Tj=25°C ; unless otherwise specified)

Characteristic	Symbol	Test Condition	Min	Typ	Max	Ut
<b>▶ OVERALL SECTION</b>						
Start Threshold Voltage	Vth(st)	-	7.0	7.5	8.0	V
Start-Up Current	Ist	Vcc = 7.0V	-	0.1	0.2	mA
Operating Supply Current	Iop	Vcc≤24V	-	6	9	mA
Enable On Voltage	Ven(on)	-	2.0	-	-	V
Enable Off Voltage	Ven(off)	-	-	-	1.0	V
<b>▶ REFERENCE SECTION</b>						
Reference Output Voltage	Vref	Tj=25°C, Iref=1mA	4.80	5.00	5.20	V
Line Regulation (8~24V)	ΔVref1	Vcc=8V~24V	-	5	20	mV
Load Regulation (0~10mA)	ΔVref2	Iref=1mA~10mA	-	5	20	mV
<b>▶ MAIN OSCILLATOR SECTION</b>						
Main Oscillation Frequency	Fosc	Tj=25°C, CT=120pF	40	44	48	kHz
Starting Frequency	Fhf	Vsdt>0.3V, Volp<1.5V	60	68	76	kHz
<b>▶ FEEDBACK SECTION</b>						
FB Input Voltage	Vfb	-	2.1	2.3	2.5	V
<b>▶ PWM OSCILLATOR SECTION</b>						
Burst Oscillation Frequency	Fbosc	Tj=25°C, BCT=5.5nF	300	330	360	Hz
<b>▶ PROTECTION SECTION</b>						
SDT Pin Current 1	Istd1	Vsdt < Vinit	23	28	33	uA
SDT Pin Current 2	Istd2	Vsdt > Venb	1	3	5	uA
Initial Threshold Voltage	Vinit	-	0.25	0.3	0.35	V
Protection Enable Voltage	Venb	-	0.6	0.7	0.8	V
Over Current Protection	Volp	-	1.3	1.5	1.7	V
Over Voltage Protection	Vovp	-	2.25	2.5	2.75	V
SDT Threshold Voltage	Vsdt	Volp<1.5V or Vovp>2.5V	2.7	3.0	3.3	V
<b>▶ OUTPUT SECTION</b>						
Nout Output Voltage	Von	Tj=25°C, Cload=2nF	10.0	11.0	-	V
Nout Rise Time	Trn		-	100	-	ns
Nout Fall Time	Tfn		-	100	-	ns
Pout Output Voltage	Vop		-10.0	-11.0	-	V
Pout Rise Time	Trp		-	100	-	ns
Pout Fall Time	Tfp		-	100	-	ns



■ PACKAGE DIMENSION

# 16-SOP-225

Dimensions in millimeters/inches

